



MEDICAL MOBILITY GROUP

# PRODUCT SELECTOR GUIDE

# MOBILITY

---

## Assemblies

---

- 1.....X-Core
- 7.....Shox Casters
- 8.....Shox Powerchair Casters
- 9.....Aero-Flex Manual Casters
- 12.....Bead-Lok

## Tires

---

- 13.....Shox Tires
- 15.....Aero-Flex “Snap On” PU Tires
- 24.....Inserts
- 26..... Foam Fills



# ***Dangerously Close to Perfection®***



***shox***®





**Dangerously Close to Perfection®**

# 24" 3-Spoke Wheel

## 24" (540mm) X-CORE 3 SPOKE



### 4th Generation

Our engineers have created the 4th generation to make the 24" (540mm) 3-spoke the wheel to beat. Produced with carbon fiber at about 1000 grams. (wheel with aluminum hub, 1/2" bearing, but no tire or handrim) in our state of the art "Lostcore" injection process, this wheel will be rolling into new heights.

X-CORE® 3-Spoke Wheel Specifications	
<b>Size:</b>	24" (540mm)
<b>Material:</b>	Carbon Fiber Composite
<b>Tire Options:</b>	1- High performance Shox™ Tire (No Flat) 2- Pneumatics 110psi max
<b>Load Limit:</b>	300lbs
<b>Rim:</b>	All-Round Aluminum
<b>Handrim:</b>	Aluminum Black Hard Anodize
<b>Axle Diameters:</b>	1/2" and 12mm
<b>Hub Widths :</b>	2 1/6" (52.4mm) Narrow 2 5/16" (58.7mm) Wide
<b>Warranty:</b>	Limited 3 Year Warranty
<b>Weight:</b>	3.32lbs (Estimated) Carbon Fiber Composite Wheel handrim assembled (No tire):

### Unmatched Benefits

Enjoy unmatched under the seat access. The X-CORE™ 3-Spoke wheel's broad, smooth surface makes for easy cleaning and also makes removal and handling of the wheels so much easier than wire spoke wheels.

Using all-round aluminum rim, this wheel will accept CEW's high performance SHOX PU tires as well as high pressure (110PSI) pneumatic tires.

### Available Colors







**Dangerously Close to Perfection®**

# 24" 5-Spoke Wheel Wheel



## Unmatched Benefits

Besides helping you avoid chair downtime, enjoy unmatched under the seat access. The X-CORE™ 5-Spoke wheel's broad, smooth surface makes for easy cleaning and also makes removal and handling of the wheels so much easier than wire spoke wheels.



X-CORE® 5-Spoke Wheel Specifications	
<b>Size:</b>	24" (540mm)
<b>Material:</b>	Enduro II: Fiber Reinforce Composite
	Enduro Pro II: Carbon Fiber Composite
<b>Tire Options:</b>	High performance Shox Tire (No Flat), 20MM bead width
	Pneumatics 75psi max
<b>Load Limit:</b>	350lbs
<b>Rim:</b>	Anti-Roll-Off Design
<b>Handrim:</b>	- Aluminum Black Hard Anodize - Silver Anodize - Composite Handrim
<b>Axle Diameters:</b>	1/2", 7/16" and 12mm
<b>Axle Widths:</b>	2.32" (58.93mm) Standard
<b>Warranty:</b>	Limited 3 Year Warranty
<b>Weight:</b>	2.20lbs (Wheel and bearings. No tire/No Handrim)

## Distinctive Design

Every Curve, arc and angle come together to maximize ride "feel," strength and endurance attributes thanks to X-CORE™ wheel technology.

## 3-Year Warranty

A wheel this unique commands a unique warranty: a 3-year limited warranty.

## Enduro II!

Features a new hub design with a radii hub improving overall appearance of the wheel.



## Available Colors





**Dangerously Close to Perfection®**

# 22" 5-Spoke Wheel



### Unmatched Benefits

The X-CORE™ 5-Spoke wheel's broad, smooth surface makes for easy cleaning and also makes removal and handling of the wheels so much easier than wire spoke wheels

### Distinctive Design:

Every Curve, arc and angle come together to maximize ride "feel," strength and endurance attributes. Thanks to X-CORE™ wheel technology

### 3-Year Warranty

A wheel this unique commands a unique warranty: a 3-year limited warranty. See website : ([www.cewheelsinc.com](http://www.cewheelsinc.com)) or contact us for full details.

### X-CORE® 22" 5 -Spoke wheel Specifications

<b>Size:</b>	22" x 1 3/8" (501 mm)
<b>Material:</b>	Enduro II: Fiber Reinforce Composite
<b>Tire Options:</b>	AERO-FLEX™ (No Flat) High Performance PU Tire Pneumatics 75psi max
<b>Load Limit:</b>	300lbs
<b>Rim:</b>	Anti-Roll-Off Design
<b>Handrim:</b>	Aluminum Black/Silver Anodize - Composite Handrim
<b>Axle Diameters:</b>	1 3/8" x 1/2", 7/16"
<b>Axle Widths:</b>	2.32" (58.93mm) Standard
<b>Warranty:</b>	Limited 3 Year Warranty
<b>Weight:</b>	1.98lbs (Wheel and bearings. No tire/No Handrim)

**22" (501mm) 5-Spoke wheel features a new hub design with a radii hub improving overall appearance of the wheel.**

### Available Colors





**Dangerously Close to Perfection®**

# 20" 5-Spoke Wheel



### Unmatched Benefits

The X-CORE™ 5-Spoke wheel's broad, smooth surface makes for easy cleaning and also makes removal and handling of the wheels so much easier than wire spoke wheels

### Distinctive Design:

Every Curve, arc and angle come together to maximize ride "feel," strength and endurance attributes. Thanks to X-CORE™ wheel technology

### 3-Year Warranty

A wheel this unique commands a unique warranty: a 3-year limited warranty. See website : ([www.cewheelsinc.com](http://www.cewheelsinc.com)) or contact us for full details.

### X-CORE® 20" 5 -Spoke wheel Specifications

<b>Size:</b>	20" x 1 3/8" (451 mm)
<b>Material:</b>	Enduro II: Fiber Reinforce Composite
<b>Tire Options:</b>	AERO-FLEX™ (No Flat) High Performance PU Tire Pneumatics 75psi max
<b>Load Limit:</b>	300lbs
<b>Rim:</b>	Anti-Roll-Off Design
<b>Handrim:</b>	Aluminum Black/Silver Anodize - Composite Handrim
<b>Axle Diameters:</b>	1 3/8" x 1/2", 7/16"
<b>Axle Widths:</b>	2.32" (58.93mm) Standard
<b>Warranty:</b>	Limited 3 Year Warranty
<b>Weight:</b>	1.82lbs (Wheel and bearings. No tire/No Handrim)

**20" (451mm) 5-Spoke wheel features a new hub design with a radii hub improving overall appearance of the wheel.**

### Available Colors





## Manual Caster Wheel Assemblies

### Custom High Performance Casters

- Long lasting exclusive formulation of our Shox casters tires is what makes our assemblies stand out.
- Our CNC'd aluminum caster wheel provides strength and look great!
- Specs: 5/16" bearings and 1" overall hub width.
- Available with 1pc aluminum wheel or 1pc mag HOLLOW SPOKE wheel



#### Available Sizes

4" X 1"    4.3" X 1"

5" X 1"    5" X 1 1/2"

6" X 1 1/4"    6" X 1 1/2"

#### Available Colors



BLUE



RED



YELLOW



BLACK



# Powerchair Caster







## Wheel Assemblies

6"- 8"



CEW's premium quality caster wheels are the lightest, smoothest riding and most durable wheels on the market today!

**Power chair caster wheel assemblies include light grey tire, black wheel and sealed ball bearings**

CROSS SECTION	OVERALL SIZE INCHES	OVERALL SIZE MILLIMETERS	HUB LENGTH & AXLE SIZE	DESCRIPTION
	6" X 2"	150" X 50"	2.4"- x 5/16"	Full profile rib tread, 2 piece heavy duty wheel and tire Precision ball bearings
	6" X 2"	150" X 50"	2.4"- x 7/16"	Full profile rib tread, 2 piece heavy duty wheel and tire Precision ball bearings
	7" X 2"	175" X 50"	2.4"- x 5/16"	Full profile rib tread, 2 piece heavy duty wheel and tire Precision ball bearings
	7" X 2"	175" X 50"	2.4"- x 7/16"	Full profile rib tread, 2 piece heavy duty wheel and tire Precision ball bearings
	8" X 2"	200" X 50"	2.4"- x 5/16"	Full profile rib tread, 2 piece heavy duty wheel and tire Precision ball bearings
	8" X 2"	200" X 50"	2.4"- x 7/16"	Full profile rib tread, 2 piece heavy duty wheel and tire Precision ball bearings

Note: Cross section drawings vary in scale.

**These heavy duty tires and wheels were designed specifically for the rigors of power chair and scooter applications. They meet or exceed the durability and roll off specifications of all wheelchair manufacturers.**

# Manual Caster

## Wheel Assemblies

# 3" - 6"



CEW's premium quality caster wheels are the lightest, smoothest riding and most durable wheels on the market today!

CROSS SECTION	OVERALL SIZE INCHES	OVERALL SIZE MILLIMETERS	HUB LENGTH & AXLE SIZE	DESCRIPTION
	3" X 1"	25 X 80	1.0"- x 5/16"	Ultra high performance inline skate wheel Precision ball bearings
	4" X 1"	25 X 100	1.0"- x 5/16"	Half round, low profile tire 3- spoke wheel Precision ball bearings
	4.3" X 1"	25 X 105	1.0"- x 5/16"	Half round, low profile tire 3- spoke wheel Precision ball bearings
	5" X 1"	25 X 125	1.0"- x 5/16"	Pyramid type tire 3-spoke wheel Precision ball bearings
	5" X 1"	25 X 125	1.0"- x 5/16"	Pyramid type tire 3-spoke wheel Precision ball bearings
	5" X 1 1/2"	38 X 125	1.0"- x 5/16"	Wide oval tire 3-spoke wheel Precision ball bearings
	6" X 1"	25 X 155	1 1/2"- x 5/16"	Low profile tire 8-spoke wheel Precision ball bearings
	6" X 1 1/4"	30 X 150	1.0"- x 5/16"	Full profile tire 3-spoke wheel Precision ball bearings
	6" x 1 1/2"	38 X 150	1.0"- x 5/16"	Wide oval tire 3-spoke wheel Precision ball bearings



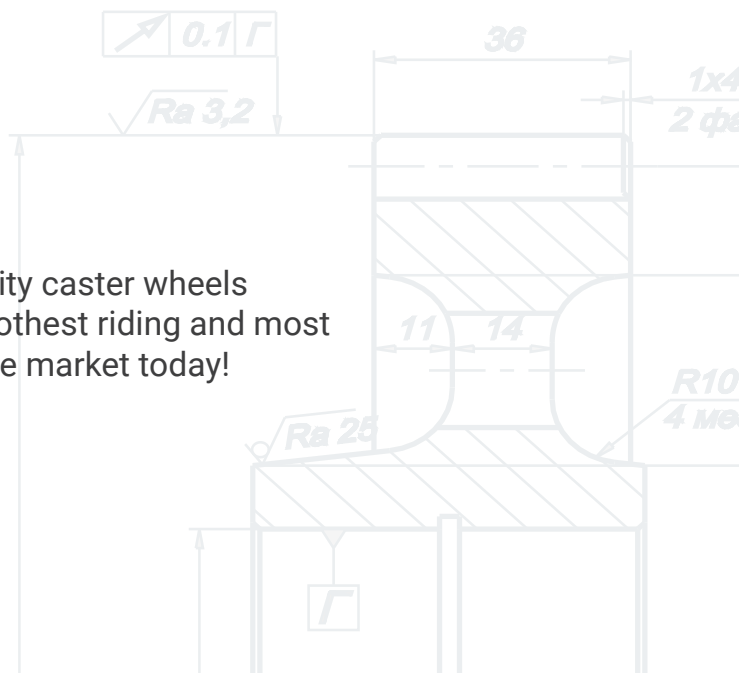
# Manual Caster

## Wheel Assemblies

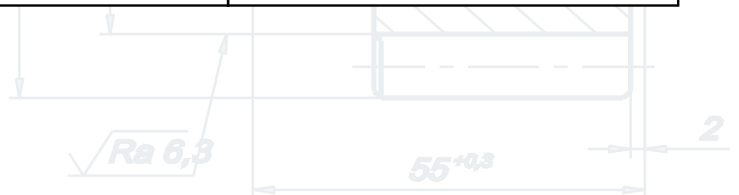
# 7" x 1"



CEW's premium quality caster wheels are the lightest, smoothest riding and most durable wheels on the market today!



CROSS SECTION	OVERALL SIZE INCHES	OVERALL SIZE MILLIMETERS	HUB LENGTH & AXLE SIZE	DESCRIPTION
	7" X 1"	25 X 180	1 1/2" - 5/16	Low profile tire 8-Spoke wheel Precision ball bearings
	7 1/2" X 1"	25 X 192	1 1/2" - 5/16	Medium profile tire 8-spoke wheel Precision ball bearings
	7 1/2" X 1.6"	40 X 192	1 1/2" - 5/16	Wide oval tire 8-Spoke wheel Precision ball bearings
	7" X 1"	25 X 180	1 1/2" - 5/16	Ultra low profile tire 8-Spoke wheel Precision ball bearings
	7" X 1"	25 X 180	2 1/8" - 7/16	Ultra low profile tire 8-Spoke wheel Sealed ball bearings



# Manual Caster

## Wheel Assemblies

# 8" x 1"



CEW's premium quality caster wheels are the lightest, smoothest riding and most durable wheels on the market today!

CROSS SECTION	OVERALL SIZE INCHES	OVERALL SIZE MILLIMETERS	HUB LENGTH & AXLE SIZE	DESCRIPTION
	8" X 1"	25 X 200	1 1/2"- 5/16	Low profile tire 8-Spoke wheel Precision ball bearings
	8" X 1"	25 X 200	2 1/8"- 7/16	Low profile tire 8-Spoke wheel Sealed ball bearings
	8"- x 1 1/4"	30 X 192	1 1/2"- 5/16	Full profile tire 8-Spoke wheel Precision ball bearings
	8"- x 1 1/4"	35 X 192	2 1/8"- 7/16	Full profile tire 8-Spoke wheel Sealed ball bearings
	8"- x 1 1/2"	40 X 200	1 1/2"- 5/16	Full profile tire 8-Spoke wheel Precision ball bearings
	8"- x 1 1/2"	40 X 200	2 1/8"- 5/16	Full profile tire 8-Spoke wheel Precision ball bearings

# Bead-Lok Tires

## For Powerchair Tires



### CEW Offers Aggressive AERO-FLEX® Tires To BEAD-LOK™ Non-Pneumatic Wheel Line



CEW's line of low profile BEAD-LOK™ SYSTEM non-pneumatic wheels are now available with an all new AERO-FLEX® polyurethane tire. AERO-FLEX® tires feature a unique aggressive tread design that is lab-tested superior for traction and rolling resistance in both dry or wet environments.

Fast and hassle-free to install, BEAD-LOK™ wheels with AERO-FLEX® tires are lighter, longerwearing and cost less than flat-proof inserts or foam-inflated rubber tires.

**AERO-FLEX® tires will never go flat or require maintenance.**

**The Bead-Lok® System is a maintenance free tire and wheel assembly, specially designed for Powerchairs and Scooters**



CHARCOAL GREY IS THE STANDARD COLOR FOR ALL TIRES. NOTE: CUSTOM COLORS AND SPECIFICATIONS ARE AVAILABLE.

CROSS SECTION	TIRE SIZE INCHES	WHEEL SIZE	REPLACES THE FOLLOWING SIZES
	8.5" X 2"	Skyway 9" X 2"	2.50 - 5
	9" X 2"	Skyway 9" X 2"	280/2.50 - 4
	9" X 3"	Skyway 9" X 3"	9 x 3.50 - 4
	10" X 3"	Skyway 10" X 3"	10 X 3 260 X 65 3.00 - 4
	10.5" X 3"	Skyway 10" X 3"	4.10 3.50 - 4
	10.5" X 2.8"	Skyway 10" X 3"	4.10 3.50 - 5

Note: Cross section drawings vary in scale.

# shox<sup>®</sup>

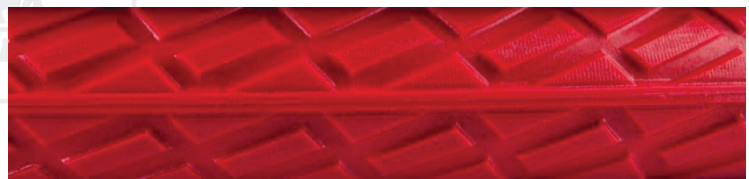
## High Performance PU Tires

**Shox G1<sup>®</sup>**



Herringbone Tread

**Shox G2<sup>®</sup>**



All Terrain Tread

### Available Sizes & Colors



Shox G1 & G2 Tires are available in these sizes:

24" (540 mm)

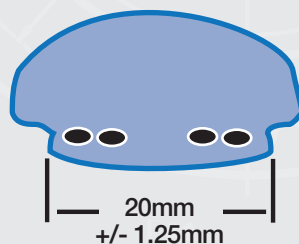
25" (559mm)

26" (590mm)

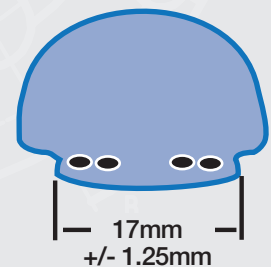


All sizes available in colors shown

STANDARD  
BEAD WIDTH



NARROW  
BEAD WIDTH





# High Performance PU Tire Matrix

24" x 1" (25-540)				
ALL TERRAIN TREAD			HERRINGBONE TREAD	
Color	Standard Width	Narrow Width	Standard Width	Narrow Width
Dark Grey	UXXXX0601AAA	TBD	UXXXX0129AAA	UXXXX0129AAS
Black	UXXXX0601AAB	UXXXX0601AAW	UXXXX0129AAB	UXXXX0129AAT
Red	UXXXX0601AAC	TBD	UXXXX0129AAC	UXXXX0129AAU
Yellow	UXXXX0601AAD	TBD	UXXXX0129AAD	UXXXX0129AAV
Blue	UXXXX0601AAE	TBD	UXXXX0129AAE	UXXXX0129AAW
Light Grey	UXXXX0601AAF	TBD	UXXXX0129AAF	UXXXX0129AAZ
PINK	UXXXX0601AAG	TBD	UXXXX0129ACU	UXXXX0600AAA
25" x 1" (25-559)				
Color	Standard Width	Narrow Width	Standard Width	Narrow Width
Dark Grey	UXXXX0601AAH	TBD	UXXXX0129AAY	UXXXX0129ABQ
Black	UXXXX0601AAI	TBD	UXXXX0129AAX	UXXXX0129ABR
Red	UXXXX0601AAJ	TBD	UXXXX0129ABA	UXXXX0129ABS
Yellow	UXXXX0601AAK	TBD	UXXXX0129ABB	UXXXX0129ABT
Blue	UXXXX0601AAL	TBD	UXXXX0129ABC	UXXXX0129ABU
Light Grey	UXXXX0601AAM	TBD	UXXXX0129ABD	UXXXX0129ABV
PINK	UXXXX0601AAN	TBD	UXXXX0129ACV	TBD
26" x 1" (25-590)				
Color	Standard Width	Narrow Width	Standard Width	Narrow Width
Dark Grey	UXXXX0601AAP	TBD	UXXXX0129ABW	UXXXX0129ACO
Black	UXXXX0601AAQ	TBD	UXXXX0129ABX	UXXXX0129ACP
Red	UXXXX0601AAR	TBD	UXXXX0129ABY	UXXXX0129ACQ
Yellow	UXXXX0601AAS	TBD	UXXXX0129ABZ	UXXXX0129ACR
Blue	UXXXX0601AAT	TBD	UXXXX0129ACA	UXXXX0129ACS
Light Grey	UXXXX0601AAU	TBD	UXXXX0129ACB	UXXXX0129ACT
PINK	UXXXX0601AAV	TBD	UXXXX0129ACW	TBD



# Polyurethane Tires

# 3"- 4" Snap-on

## AERO-FLEX® (No Flat) High Performance PU Tires

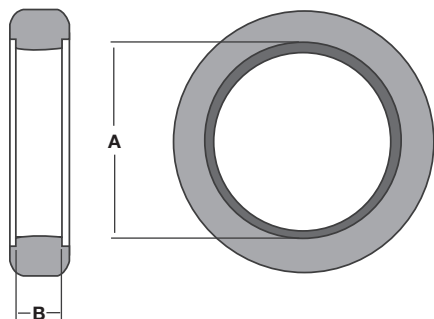


*Half the weight, twice the wear, a softer ride and no flats. CEW's Polyurethane tires are state of the art in flatproof tire technology*

MIDNIGHT BLACK IS THE STANDARD COLOR FOR ALL 3" AND 4" CASTER TIRES, CUSTOM COLORS ARE AVAILABLE

CROSS SECTION	TIRE SIZE INCHES	TIRE SIZE MILLIMETERS	WHEEL SIZE		DESCRIPTION
			A	B	
	3" X 1"	25 X 80			Black skate wheel Complete with 280/2.50" I.D ball bearings.
	4" X 1"	25 X 100	3.5"	.43"	Half round, black Ultra low profile Smooth tread
	4" X 1"	25 X 100	3.5"	.65"	Half round, black Ultra low profile Smooth tread
	4.3" X 1"	25 X 110	3.9"	.60"	Half round, black Ultra low profile Smooth tread

Note: Cross section drawings vary in scale.



3' and 4' casters offer the ultimate maneuverability and quick steering response. In addition, our proprietary urethane formulations combine excellent shock-absorbing qualities with extraordinary durability. All Alshin microcellular urethane tires are oil-resistant, weather-resistant, and non-marking.



# Polyurethane Tires

# 5" Snap-on

## AERO-FLEX® (No Flat) High Performance PU Tires

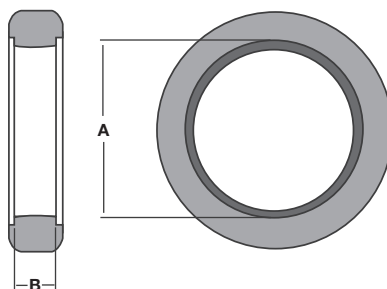


*CEW's Polyurethane tires are state of the art  
In flatproof tire technology*

**CHARCOAL GREY IS THE STANDARD COLOR FOR ALL TIRES UNLESS NOTED, CUSTOM COLORS AND SPECIFICATIONS ARE ARE AVAILABLE**

CROSS SECTION	TIRE SIZE INCHES	TIRE SIZE MILLIMETERS	WHEEL SIZE		DESCRIPTION
			A	B	
	5" X 1"	25 X 126	3.9"	.65"	Pyramid type Low profile Smooth tread
	5" X 1"	25 X 126	3.9"	.60"	Half round Low profile Smooth tread
	5" X 1"	25 X 126	3.9"	.65"	Half round Low profile Smooth tread
	5" X 1"	26 X 126	3.9"	.80"	Half round Low profile Smooth tread
	5" X 1 1/4"	28 X 126	3.9"	.85"	Half round Low profile Smooth tread
	5" X 1 1/2"	38 X 126	3.9"	.65"	Wide oval Low profile Smooth tread

**Note: Cross section drawings vary in scale.**



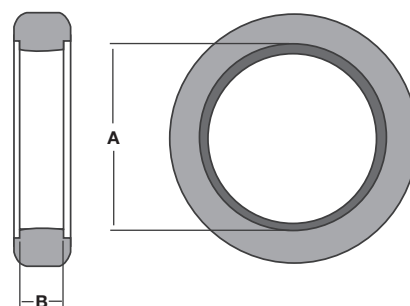
# Polyurethane Tires

## 6" Snap-on

### AERO-FLEX® (No Flat) High Performance PU Tires



*Half the weight, twice the wear,  
a softer ride and no flats.*



**CHARCOAL GREY IS THE STANDARD COLOR FOR ALL TIRES UNLESS NOTED, CUSTOM COLORS AND SPECIFICATIONS ARE AVAILABLE**

CROSS SECTION	TIRE SIZE INCHES	TIRE SIZE MILLIMETERS (ETRTO)	WHEEL SIZE		DESCRIPTION
			A	B	
	6" X 1"	25 X 155	5.2"	.45"	Half round Ultra low profile Smooth tread
	6" X 1"	25 X 150	4.95"	.88"	Half round Low profile Smooth tread
	6" X 1"	25 X 150	4.95"	.65"	Half round Low profile Smooth tread
	6" X 1 1/4"	32 X 150 (32-86)	3.9"	.60"	Full profile Multi-ribbed tread
	6" X 1 1/4"	32 X 150 (32-86)	3.9"	.65"	Full profile Multi-ribbed tread
	6" X 1 1/4"	32 X 150 (32-86)	3.9"	.80"	Full profile Multi-ribbed tread
	6" X 1 1/4"	32 X 150 (32-86)	3.9"	.88"	Full profile Multi-ribbed tread
	5" X 1 1/2"	38 X 150	3.9"	.65"	Wide oval Low profile Smooth tread

Note: Cross section drawings vary in scale.

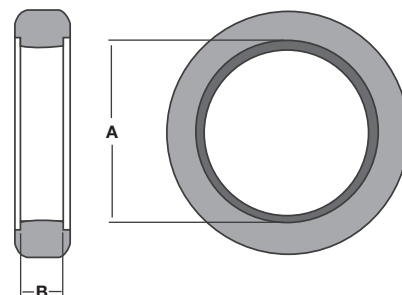
# Polyurethane Tires

## 7" Snap-on

### AERO-FLEX® (No Flat) High Performance PU Tires



*CEW's Polyurethane tires are state of the art In flatproof tire technology*



**CHARCOAL GREY IS THE STANDARD COLOR FOR ALL TIRES UNLESS NOTED, CUSTOM COLORS AND SPECIFICATIONS ARE ARE AVAILABLE**

CROSS SECTION	TIRE SIZE INCHES	TIRE SIZE MILLIMETERS	WHEEL SIZE		DESCRIPTION
			A	B	
	7" X 1"	25 X 177	5.9"	.65"	Half round Low profile Smooth tread
	7" X 1"	25 X 177	5.9"	.80"	Half round Low profile Smooth tread
	7 1/2" X 1"	25 X 192	5.9"	.65"	Half round Medium profile Smooth tread
	7 1/2" X 1"	25 X 192	5.9"	.80"	Half round Medium profile Smooth tread
	7" X 1"	25 X 179	6.8"	.75"	Ultra low profile Smooth tread
	7 1/2" X 1.6"	42 X 195	5.9"	.65"	Wide Oval Medium profile Smooth tread
	7 1/2" X 1.6"	42 X 195	5.9"	.80"	Wide Oval Medium profile Smooth tread

**Note: Cross section drawings vary in scale.**

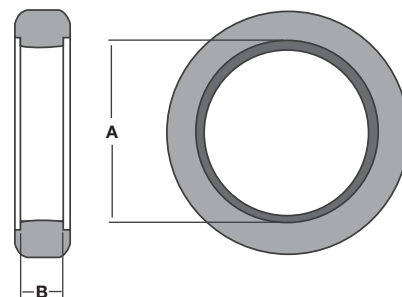
# Polyurethane Tires

# 8" Snap-on

## AERO-FLEX® (No Flat) High Performance PU Tires



*Half the weight, twice the wear,  
a softer ride and no flats.*



**CHARCOAL GREY IS THE STANDARD COLOR FOR ALL TIRES UNLESS NOTED, CUSTOM COLORS AND SPECIFICATIONS ARE ARE AVAILABLE**

CROSS SECTION	TIRE SIZE INCHES	TIRE SIZE MILLIMETERS (ETRT)	WHEEL SIZE		DESCRIPTION
			A	B	
	8" X 1"	25 X 200	6.8"	.75"	Pyramid style Low profile Smooth tread
	8" X 1"	25 X 200	6.8"	.75"	Half round Low profile Smooth tread
	8" X 1"	25 X 200	6.8"	Fits all widths	Universal design Smooth tread
	8" X 1 1/4"	32 X 200 (32-140)	5.9"	.65"	Full profile Multi-rib tread
	8" X 1 1/4"	32 X 200 (32-140)	5.9"	.80"	Full profile Multi-rib tread
	8" X 1 1/2"	38 X 200 (38-140)	5.9"	.65"	Full profile 2-rib tread
	8" X 1 1/2"	38 X 200 (38-140)	5.9"	.80"	Full profile 2-rib tread

**Note: Cross section drawings vary in scale.**

# **Powerchair PU Tires**

## **Shox<sup>®</sup> High Performance Tires**

**NEW SHOX<sup>®</sup> 260 x 85 (10x3) Solid PU tires**  
**Pneumatic look-alike Tread, Rib Tread and Aqua Tread**



## ***shox*<sup>®</sup>**

Manufacture with our exclusive SHOX<sup>®</sup> Compound. Our Shox compound forms a microcellular flexible foam structure that is incredible tough, yet lightweight and long wearing, creating a tire that is far superior to conventional tires.

- ***Lighter than Foam Fills***
- ***Zero Maintenance***
- ***Wears 2-3 times better than rubber tires***
- ***Longer Battery life***
- ***Easy to Install***

## ***Reinventing the wheel!***

# Rear PU Tires

20" Snap-on

## AERO-FLEX® (No Flat) High Performance PU Tires



**CEW's Polyurethane tires are state of the art in flatproof tire technology**



**CHARCOAL GREY IS THE STANDARD COLOR FOR ALL TIRES UNLESS NOTED, CUSTOM COLORS AND SPECIFICATIONS ARE ARE AVAILABLE**

CROSS SECTION	TIRE SIZE INCHES	TIRE SIZE MILLIMETERS (ETRT0)	WHEEL SIZE	DESCRIPTION
	20" X 1"	490 X 25	20" X 1 3/8" (37-451)	Pyramid style Low profile Cordless smooth tread
	20" X 1 3/8"	508 X 37	20" X 1 3/8" (37-451)	Full profile Street tread Reinforced beads
	20" X 1 1/2"	500 X 38	20" X 1.75" (47-406)	Full profile All terrain tread Reinforced beads
	20" X 1.75"	500 X 47	20" X 1.75" (47-406)	Full profile Street tread Reinforced beads
	20" X 2.125"	500 X 47	20" X .2125" (E&J Alloy)	Full profile Lug tread Reinforced beads
	20" X 2.125"	500 X 47	20" X .2125" (Invacare Alloy) (Skyway Mag)	Full profile Lug tread Reinforced beads
	20" X 2.125"	500 X 47	20" X .2125" (Quicke Alloy)	Full profile Lug tread Reinforced beads
	19" X 2.75"	488 X 70	20" X .2125" (Skyway Mag)	Medium profile Lug tread Reinforced beads

Note: Cross section drawings vary in scale.



# Rear PU Tires

# 22" Snap-on

## AERO-FLEX® (No Flat) High Performance PU Tires



**Half the weight, twice the wear, a softer ride and no flats.**



**CHARCOAL GREY IS THE STANDARD COLOR FOR ALL TIRES UNLESS NOTED, CUSTOM COLORS AND SPECIFICATIONS ARE AVAILABLE**

CROSS SECTION	TIRE SIZE INCHES	TIRE SIZE MILLIMETERS (ETRTO)	WHEEL SIZE	DESCRIPTION
	22" X 1"	540 X 25	22" X 13/8" (489 & 501 mm)	Pyramid style Low profile Cordless smooth tread
	22" X 1"	540 X 25	22" X 13/8" (489 mm)	Pyramid style Low profile Smooth tread Reinforced beads
	22" X 1"	540 X 25	22" X 13/8" (501 mm)	Pyramid style Low profile Smooth tread Reinforced beads
	22" X 1 1/4"	560 X 28 (28 - 501)	22" X 13/8" (501 mm)	Full profile Street tread Reinforced beads
	22" X 1 1/4"	560 X 28 (28 - 501)	22" X 13/8" (489 mm)	Full profile Street tread Reinforced beads
	22" X 1 1/4"	560 X 28 (28 - 501)	22" X 13/8" (501 mm)	Full profile Herringbone tread Reinforced beads
	22" X 1 3/8"	561 X 28 (28 - 501)	22" X 13/8" (501 mm)	Full profile Touring tread Reinforced beads

**Note: Cross section drawings vary in scale.**

# Rear PU Tires

**24" Snap-on**

## AERO-FLEX® (No Flat) High Performance PU Tires



**CEW's Polyurethane tires are state of the Art in flatproof tire technology**



**CHARCOAL GREY IS THE STANDARD COLOR FOR ALL TIRES UNLESS NOTED, CUSTOM COLORS AND SPECIFICATIONS ARE AVAILABLE**

CROSS SECTION	TIRE SIZE INCHES	TIRE SIZE MILLIMETERS (ETRTO)	WHEEL SIZE	DESCRIPTION
	24" X 1"	590/ 615 X 25 (Depending on wheel)	24" X 13/8" 24" X 1	Pyramid style Low profile Cordless smooth tread
	24" X 1"	590 X 25	24" X 13/8" (540 mm)	Pyramid style Low profile Smooth tread Reinforced beads
	24" X 1 1/4"	615 X 32	24" X 13/8" (540 mm)	Full profile Street tread Reinforced beads
	22" X 1 3/8"	615 X 32	24" X 13/8" (540 mm)	Full profile Touring tread Reinforced beads

**Note: Cross section drawings vary in scale.**

# Flat Proof - Solid Inserts

## For Pneumatic Tires



**CEW's flat proof tire inserts duplicate the ride comfort of air-inflated tires, with total freedom from flats, leaks and repairs**

CROSS SECTION	TIRE SIZE	CROSS SECTION	TIRE SIZE	CROSS SECTION	TIRE SIZE
	1 - 6" X 1 1/4"		1 - 14" X 2.125"		1 - 24" X 1.75"
	1 - 8" X 1 1/4"		1 - 16" X 2.125"		1 - 20" X 1 3/8"
	1 - 8" X 1 3/4"		1 - 18" X 2.125"		1 - 22" X 1 3/8"
	1 - 8" X 1 3/4"-HD*		1 - 20" X 2.125"		1 - 24" X 1 3/8"
	1 - 12 1/2" X 2 1/4"		1 - 16" X 1.75"		1 - 24" X 1 3/8"-HD*
	1 - 12 1/2" X 2 1/4" -HD*		1 - 20" X 1.75"		1 - 26" X 1 3/8"

Note: Cross section drawings vary in scale.

\*Heavy Duty

# Polyurethane Tires Vs Foam Fill Tires

## Benefits of PU tires:

- **Wears 2-3 times better than rubber tires**
- **Lighter weight**
- **Easy to Install**
- **Latex free compounds**
- **Low rolling resistance**
- **Single SKU**
- **Less expensive to own**



**Foam Fill**

**PU Tire**





# Foam Fills

Comfort track and HD Foam Fills

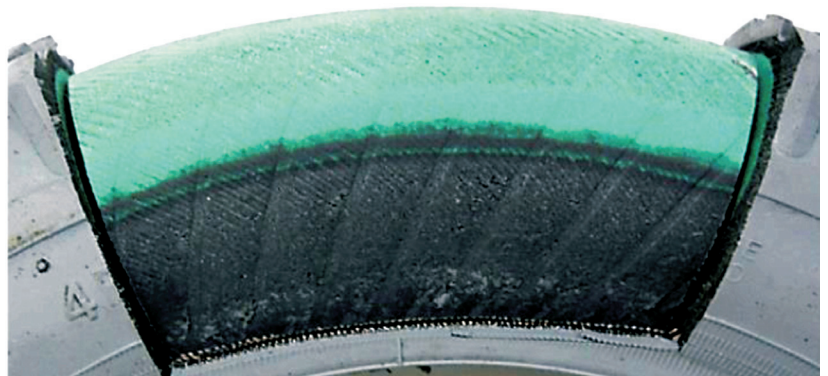
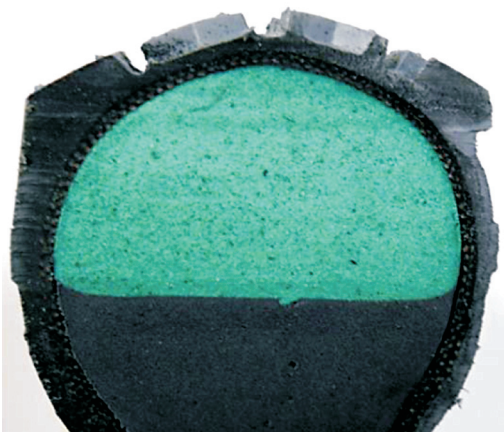
## The best foam fills in the market!



- SPIN-Cast molding creates dense, firm tread area while keeping the side wall area flexible for a smooth ride
- Our Aero-Flex II™ has the best feel in the industry, bar none
- Our exclusive material resists breaking down over time

## New DUAL DENSITY FOAM FILLS!

A perfect combination of Aero-Flex I™ and Aero-Flex II™ Compounds



## Reinventing the wheel!



**Custom Engineered Wheels, Inc.**  
309 Robert M Coggins Jr. Dr  
Baldwyn, Mississippi 38824, U.S.A.  
[cewheelsinc.com](http://cewheelsinc.com)

**shox**®

